

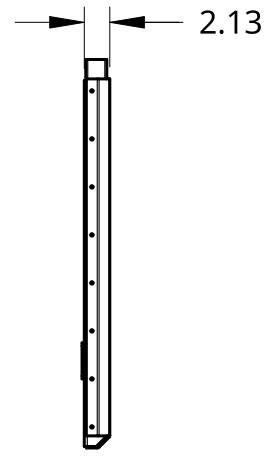
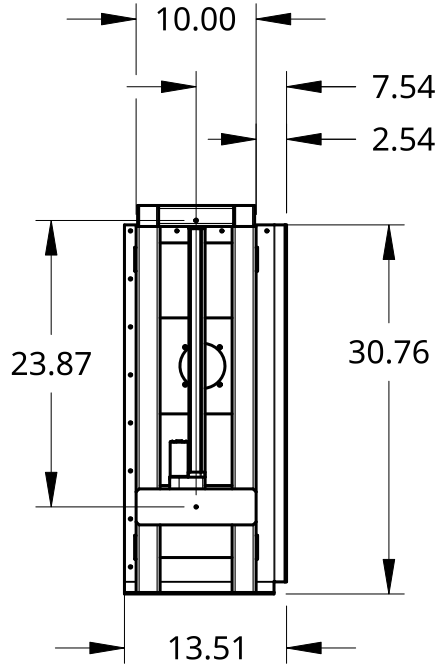
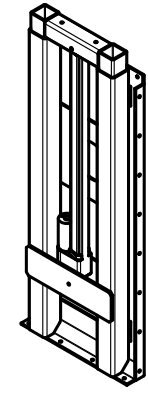
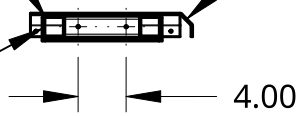
2

1

1.75" x 1.75" x
0.105" Wall HSS

2" x 2" x 0.105" Wall
HSS

0.125" thick sheet metal
elevator mount



B

B

A

A

UNLESS OTHERWISE SPECIFIED, DIMENSIONS ARE IN INCHES .XX = ±.0- .XXX = ±.00- .XXXX = ±.000- SURFACE FINISH		NAME	DATE		
DO NOT SCALE DRAWING	DRAWN	AMARVEER	07/01/2023	TITLE	
BREAK ALL SHARP EDGES AND REMOVE BURRS	CHECKED			Elevator Assembly (Left Hand)	
THIRD ANGLE PROJECTION	APPROVED			SIZE	REV.
	MATERIAL	FINISH		A	
				DWG NO.	
				CX23-SP-A006	
	SCALE	WEIGHT	SHEET	1 of 1	
	1:16				

2

1